

Document No. SKCE220301

March, 2022

# Product Catalog



**SUGANUMA CO., LTD.**

1-5-1, Omorikita, Ota-ku, Tokyo, Japan

TEL +81-3-3762-2771

URL <http://www.suganuma-ss.co.jp>

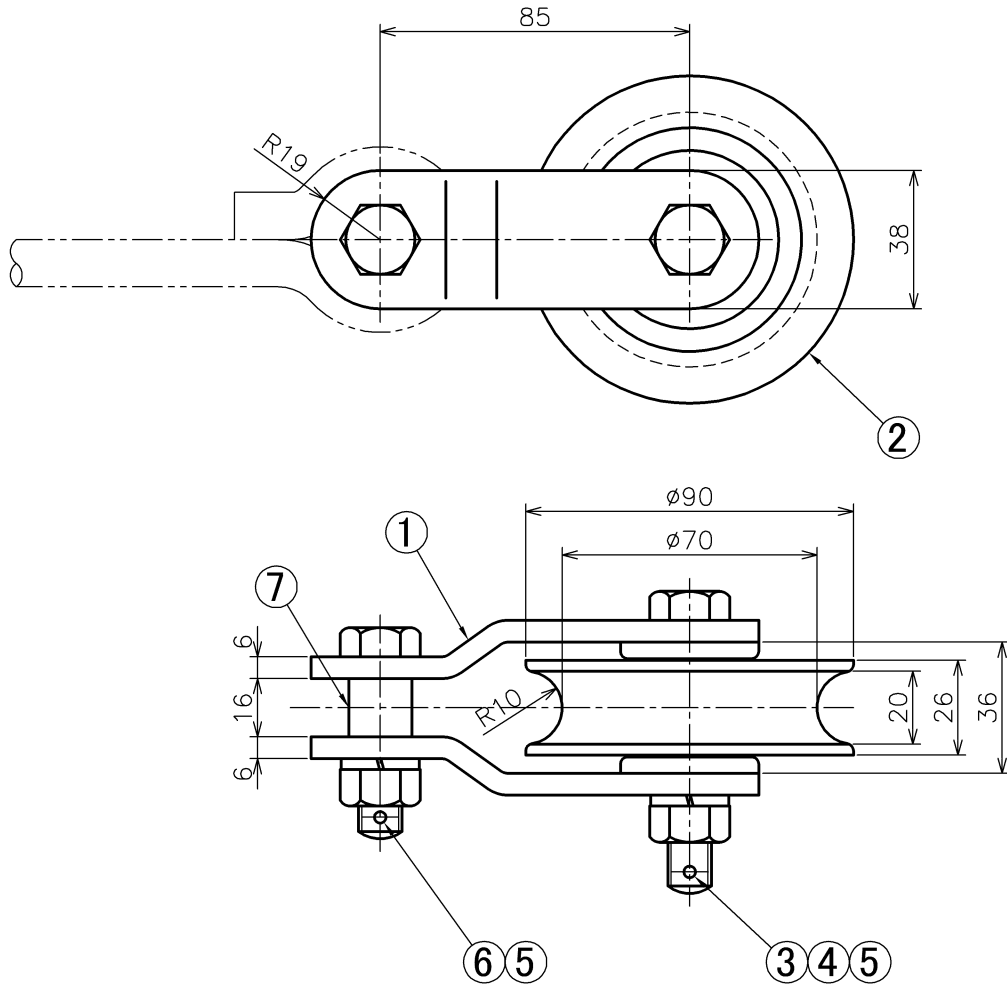
E-mail [contact@suganuma-ss.co.jp](mailto:contact@suganuma-ss.co.jp)

No.	English (英語)	日本語 (Japanese)
1	Pull-Off Pulley, 1 CAC Wheel	曲線引滑車 CAC
2	Double Ear Type JIS No.1	ダブルイヤー JIS形 1種 各種
3	Compression Dead-end Fittings	引留クランプ 各種
4	Termination Fittings Wire Terminal	引留金具 ワイヤターミナル 各種
5	Termination Fittings Type BS	引留金具 BS 各種
6	Line Guard St55mm <sup>2</sup> L=500mm	ラインガード St55mm <sup>2</sup> L=500mm
7	Line Guard for Wire Crossing St90mm <sup>2</sup> L=2000mm	ラインガード (交差グリップタイプ) St90mm <sup>2</sup> L=2000mm
8	Feeding Fittings, Socket Head Cap Screw, for Feeding Branch	フィードイヤー (袋ねじ) き電分岐用
9	Feeding Fittings, Socket Head Cap Screw, for Crossing	フィードイヤー (袋ねじ) 交さ用
10	Connector Fittings, Socket Head Cap Screw, for TMMT	コネクタ金具 (袋ねじ) TMMT
11	Hanger Ear (Boltless) Type B	ハンガイヤー (ボルトなし) B形
12	Pull-off Arm, Boltless	曲線引金具 BL (ボルトなし) 各種
13	Compression Terminal for Hard-drawn Copper Stranded Conductor Type C4	圧縮端子 硬銅より線用 C4形
14	Connector Clamp Two Bolt Type for Steel Wire	コネクタクランプ ちょう架線 St系 2B 各種
15	Crossing Clamp	交差金具
16	Support Fittings for Pull-off Arm, Boltless, Simple No.1	アーム支持金具 曲線引金具 (ボルトなし) シンプル 1号
17	Support Fittings for Steady Arm, Boltless, for Simple	アーム支持金具 振止金具 (ボルトなし) シンプル用
18	Wire Clip	ワイヤクリップ 各種
19	Connector Clamp Two Bolt Type PH300mm <sup>2</sup> -Cu185mm <sup>2</sup>	コネクタクランプ 2B PH300mm <sup>2</sup> -Cu185mm <sup>2</sup>
20	Connector Fittings, Socket Head Cap Screw, No.1	コネクタ金具 (袋ねじ) 1号
21	Connector Fittings, Socket Head Cap Screw, No.2 No.3	コネクタ金具 (袋ねじ) 2号・3号
22	Separator for Feeding Branch	き電分岐セパレータ
23	Steady Arm, Boltless	振止金具 (ボルトなし) 各種
24	Messenger Wire Protector Type S	ちょう架線保護カバー S形
25	Hanger Ear (Boltless) Type D	ハンガイヤー (ボルトなし) D形
26	Connector Clamp Two Bolt Type for Copper Wire	コネクタクランプ ちょう架線 Cu系 2B
27	Connecting Fittings for Arrester Wire PH356mm <sup>2</sup> , H325mm <sup>2</sup> , PH300mm <sup>2</sup> , for 1 Line, Lead 22mm <sup>2</sup>	分線金具 PH356mm <sup>2</sup> ・H325mm <sup>2</sup> ・PH300mm <sup>2</sup> 1線用 リード線22mm <sup>2</sup>
28	Compression Parallel Sleeve for Hard-drawn Copper Stranded Conductor Cu300-Cu300	平行分岐スリーブ 硬銅より線用 Cu300-Cu300
29	Link Type H	連結金具 H形 各種
30	Support Fittings for Pull-off Arm, Boltless, Simple No.1-S	アーム支持金具 曲線引金具 (ボルトなし) シンプル 1-S
31	Insulator Fittings, Suspension Type, Type L L=80	がいし金具 L形 L=80
32	Thin Lock Nut M14 Small Type	薄板ゆるみ止めナット M14 (小形)
33	Hard Lock Nut HLN-R M12	ハードロックナット HLN-R M12

# Pull-Off Pulley, 1 CAC Wheel

曲線引滑車 CAC

DWG SR01090000  
No. (90150115-8)



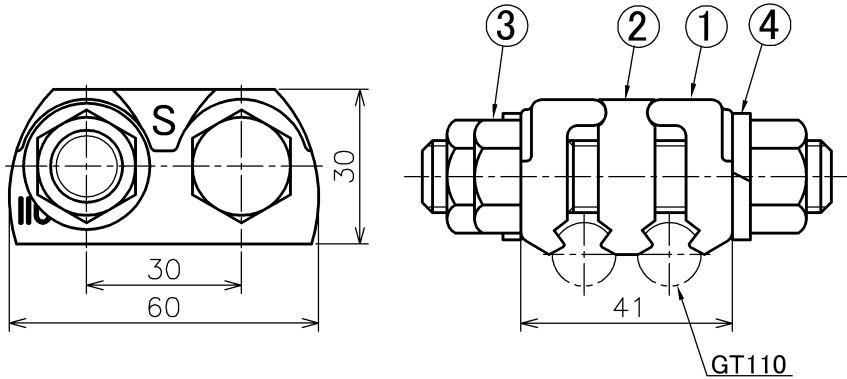
Weight : 1.38 kg

NO.	PARTS NAME	Q'TY
1	MOUNTING FRAME	1 <sup>S</sup>
2	PULLEY	1 <sup>S</sup>
3	COTTER BOLT AND NUT M12 × 75 × 30	1 <sup>S</sup>
4	SPRING WASHER	2
5	SPLIT PIN	2
6	COTTER BOLT AND NUT M12 × 55 × 30	1 <sup>S</sup>
7	BUSH	1

# Double Ear Type JIS No.1

## ダブルイヤー JIS形 1種 各種

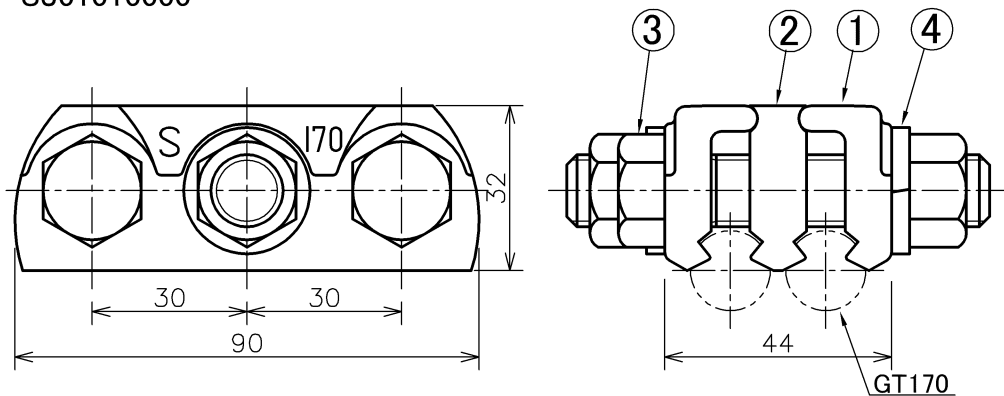
Type JIS No.1-1  
SJ01020000



Weight: 0.46 kg

NO.	PARTS NAME	Q'TY
1	EAR OUTER PIECE	2
2	EAR MIDDLE PIECE	1
3	SMALL BOLT AND NUT M14 × 60 × 50	2 <sup>S</sup>
4	SPRING WASHER	2

Type JIS No.1-2  
SJ01010000



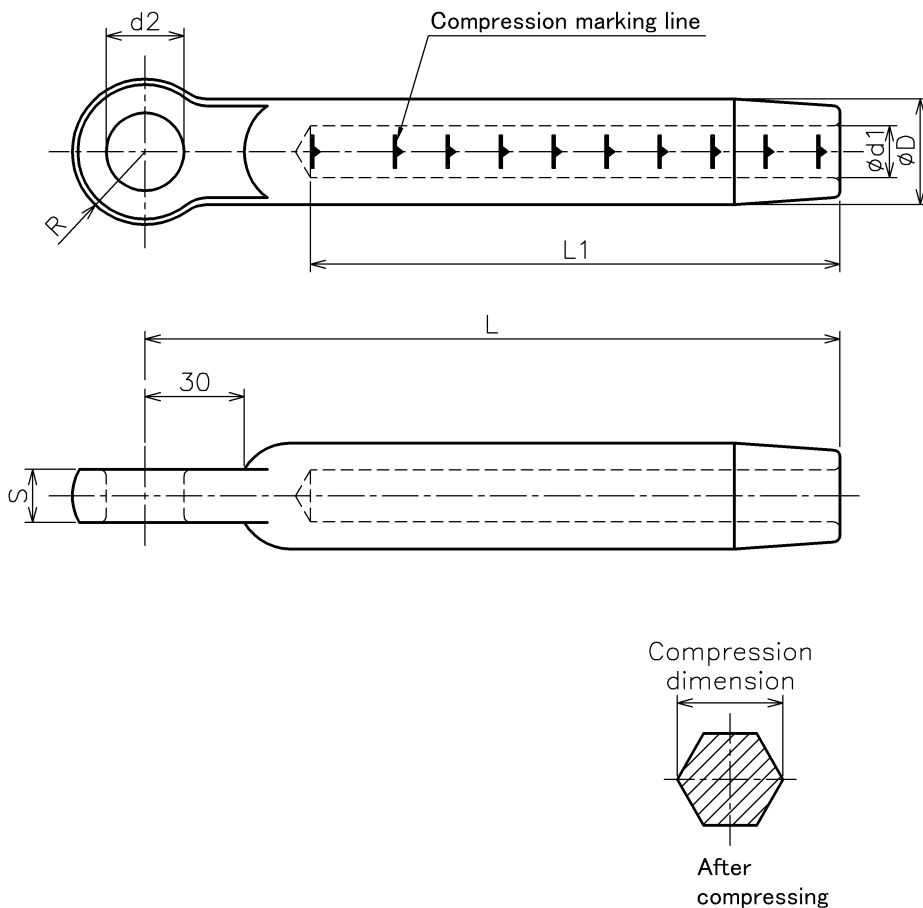
Weight: 0.76 kg

NO.	PARTS NAME	Q'TY
1	EAR OUTER PIECE	2
2	EAR MIDDLE PIECE	1
3	SMALL BOLT AND NUT M14 × 60 × 50	3 <sup>S</sup>
4	SPRING WASHER	3

# Compression Dead-end Fittings

引留クランプ 各種

DWG SR01350000  
No. (90150117-24)



Nominal cross section	d1	D	L1	L	R	S	d2	Compression dimension	Weight
135mm <sup>2</sup>	15.7	32	160	210	22	16	23.5	32	1.02 kg
90mm <sup>2</sup>	12.5	23	150	190	19	14	20.5	23	0.47 kg
55mm <sup>2</sup>	10.1	23	105	145	19	12	18.0	23	0.40 kg

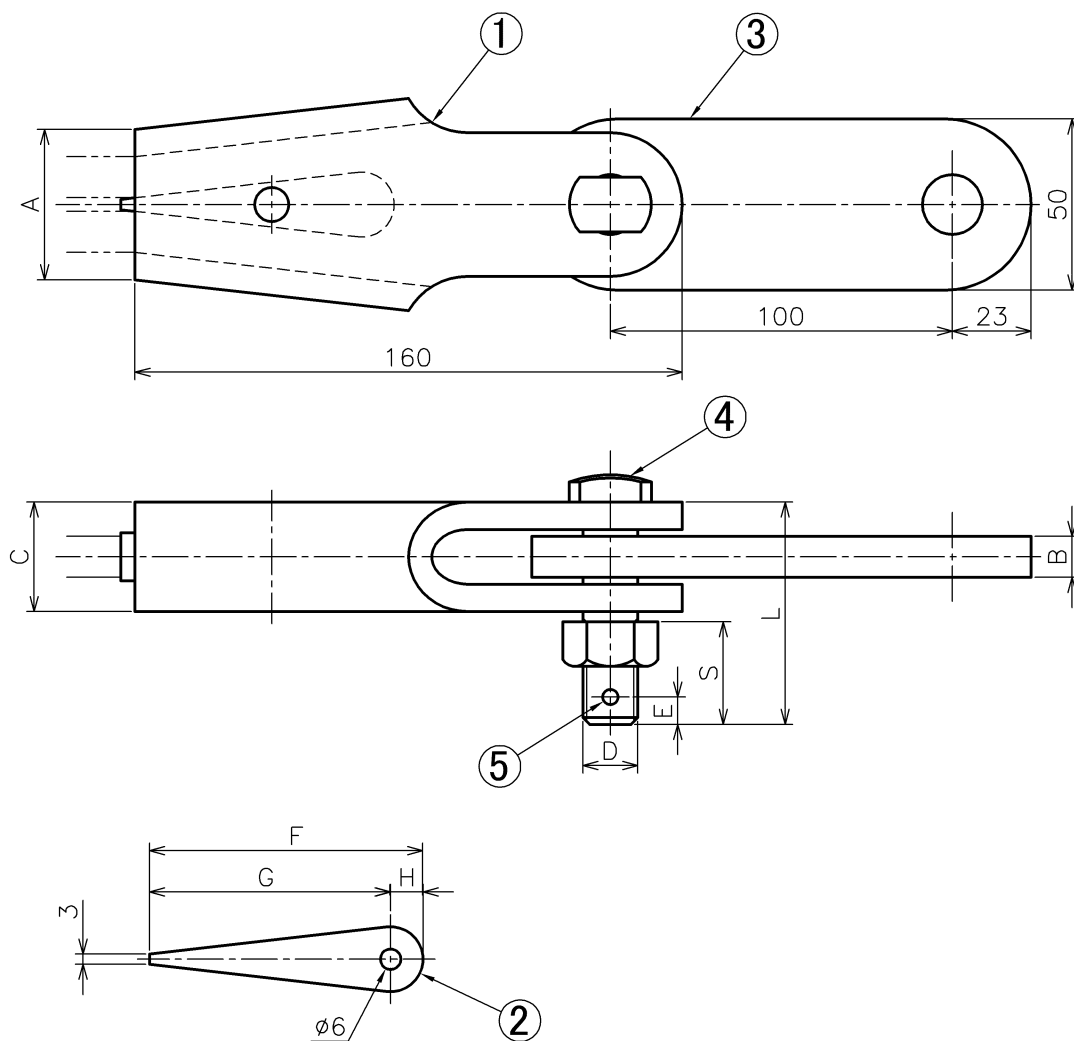
NO.	PARTS NAME	Q'TY
1	MAIN BODY	1

# Termination Fittings Wire Terminal

引留金具 ワイヤターミナル 各種

DWG SM03010000

No. (38100100)



Type	Dimensions (mm)									
	A	B	C	D	L	S	E	F	G	H
WTS-90	44	12	32	16	70	30	8	80	70.5	9.5
WTS-135	50	16	35	20	80	40	10	83	73	10

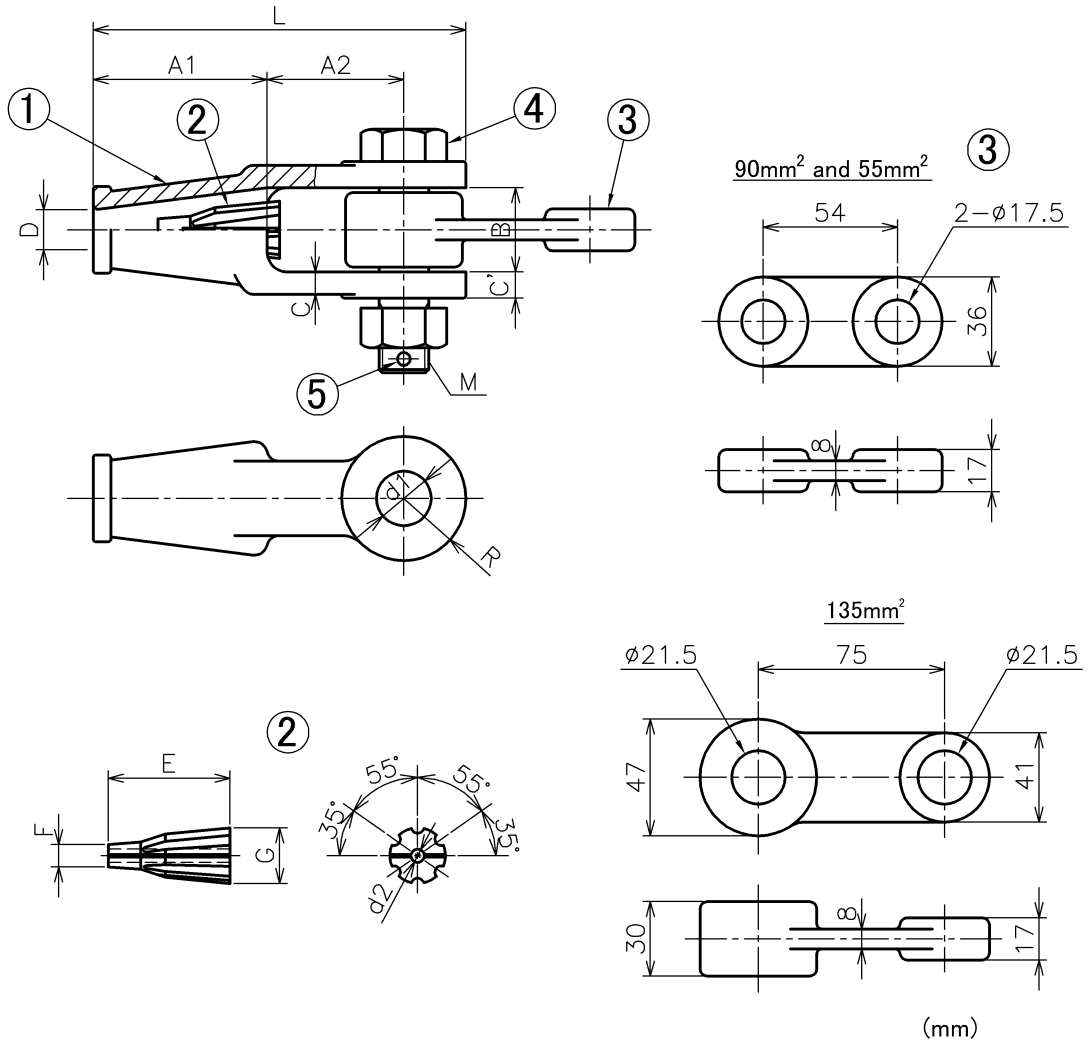
NO.	PARTS NAME	Q'TY
1	MAIN BODY	1
2	WEDGE	1
3	STRAP	1
4	COTTER BOLT AND NUT	1 <sup>S</sup>
5	SPLIT PIN	1

# Termination Fittings Type BS

引留金具 BS 各種

DWG SM04010000

No. (382001)



(mm)

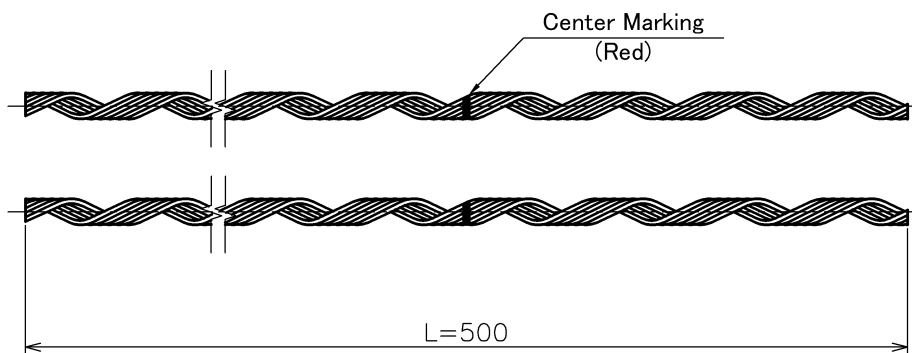
Wire type	Main body										Cotter				Split pin	Weight
	A1	A2	L	B	C	C'	D	M	d1	R	E	F	G	d2		
st135	70	55	150	34	9	10.5	16	20	22	25	49	7.4	22.4	5.4	φ 4x40	0.60 kg
st90	48	40	108	24.5	7	8.5	13	16	18	20	36	6.4	17.8	4.4	φ 4x40	0.81 kg
st55	38	40	96	21	5	6.5	11.5	14	16	18	32	5.6	15.3	3.6	φ 3.2x32	1.78 kg

NO.	PARTS NAME	Q'TY
1	MAIN BODY	1
2	COTTER	1
3	STRAP	1
4	COTTER BOLT AND NUT	1 <sup>S</sup>
5	SPLIT PIN	1

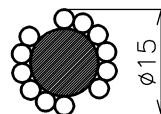
# Line Guard St55mm<sup>2</sup> L=500mm

ラインガード St55mm<sup>2</sup> L=500mm

DWG 93190913-1  
No.



Outer diameter after installing



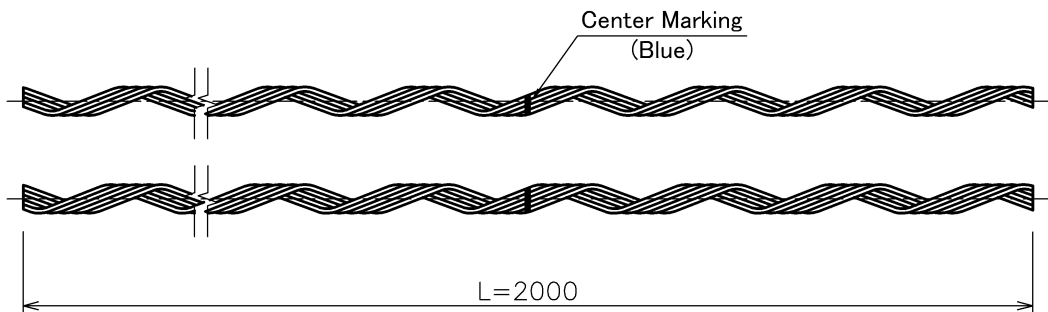
NO.	PARTS NAME	Q'TY
1	Main body	1 <sup>S</sup>



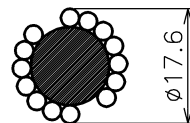
# Line Guard for Wire Crossing St90mm<sup>2</sup> L=2000mm

ラインガード(交差グリップタイプ) St90mm<sup>2</sup> L=2000mm

DWG 93190913-1  
No.



Outer diameter after installing



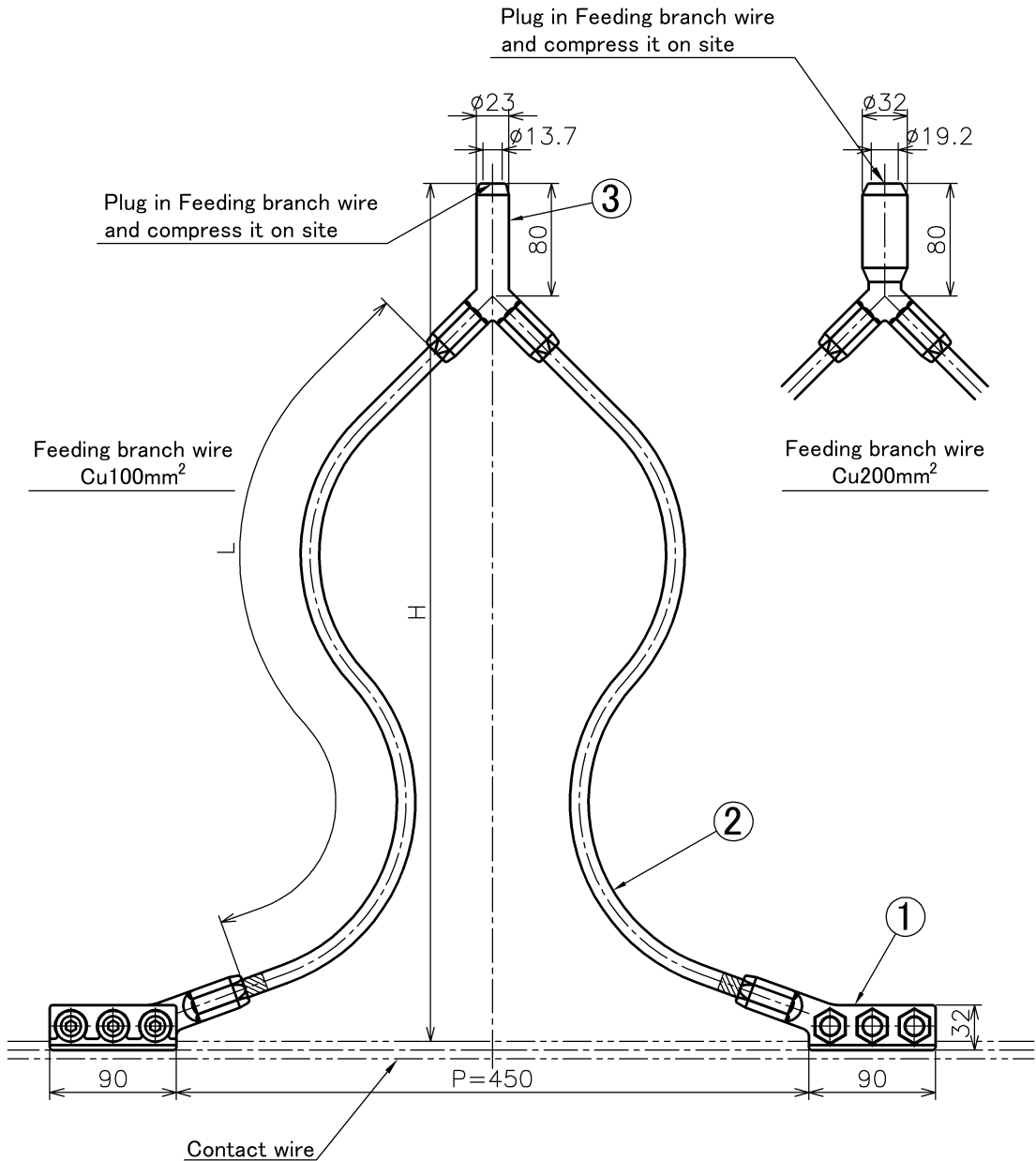
NO.	PARTS NAME	Q'TY
1	Main body	1 <sup>S</sup>

# Feeding Fittings, Socket Head Cap Screw, for Feeding Branch

フィードイヤー (袋ねじ) き電分岐用

DWG SF11050000

No. (271002)



H=610, 100:100:100, Weight: 2.78 kg

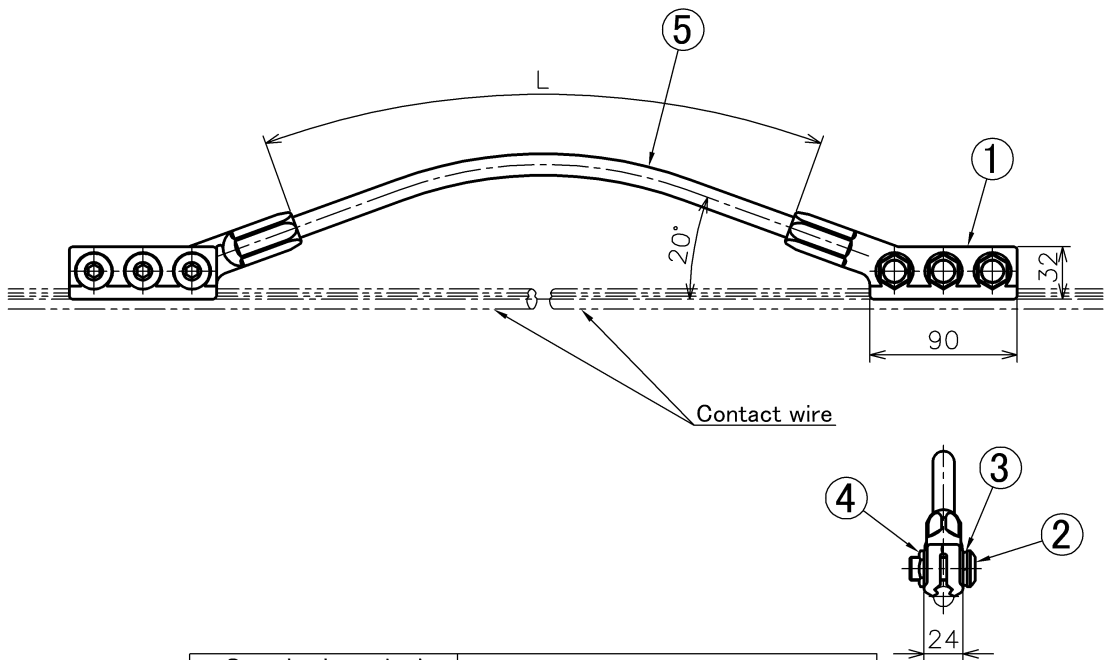
NO.	PARTS NAME	Q'TY
1	EAR	2 <sup>S</sup>
2	CONDUCTOR	2
3	BRANCH JOINT TUBE (TYPE Y)	1

# Feeding Fittings, Socket Head Cap Screw, for Crossing

フィードイヤー (袋ねじ) 交さ用

DWG SF11020000

No. (270002)



Standard nominal dimension L	Uses (reference)
300	Space between contact wires of Twin simple catenary.
600	If there is no tension balancer.
800	
1000	Supported by a spring when there is a tension balancer.
1200	

L=800, Weight: 1.96 kg

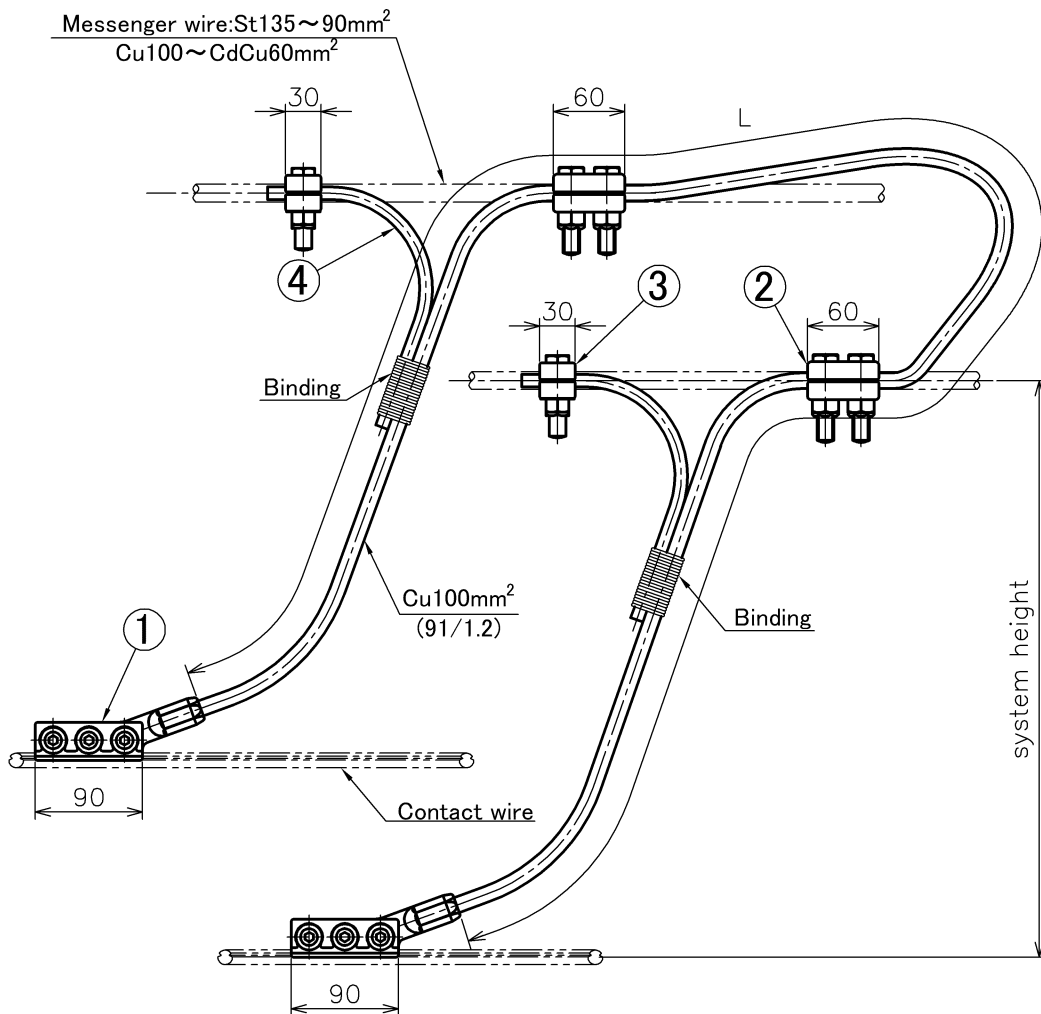
NO.	PARTS NAME	Q'TY
1	EAR	2 <sup>S</sup>
2	SOCKET HEAD CAP SCREW M14 × 32 × 24	6
3	T.T SPRING WASHER	6
4	THIN LOCK NUT	6
5	CONDUCTOR	1

# Connector Fittings, Socket Head Cap Screw, for TMMT

コネクタ金具 (袋ねじ) TMMT

DWG SF11010000

No. (270001)



NO.	PARTS NAME	Q'TY
1	EAR	1 <sup>S</sup>
2	CONNECTOR CLAMP TWO BOLT TYPE	2 <sup>S</sup>
3	CONNECTOR CLAMP ONE BOLT TYPE	2 <sup>S</sup>
4	AUXILIARY CONDUCTOR	2

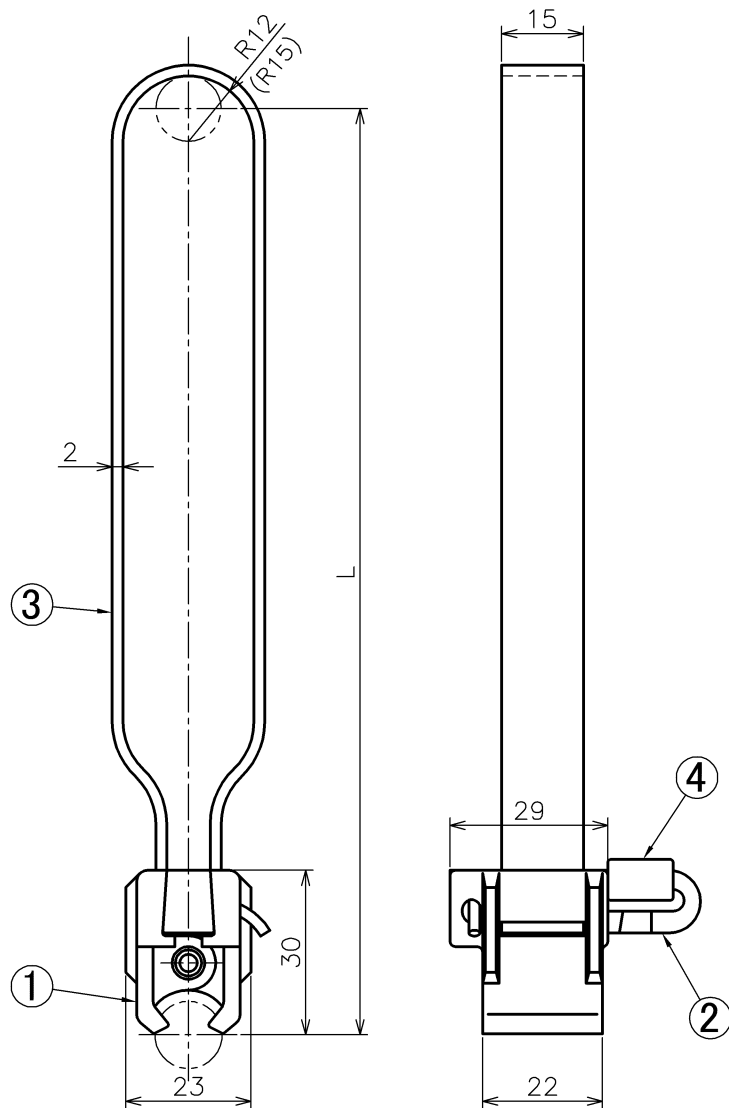
# Hanger Ear (Boltless) Type B

ハンガイヤー (ボルトなし) B形

DWG SH21010000

No. (103005)

※Dimensions in ( ) are for the case of messenger wire 135mm<sup>2</sup>.



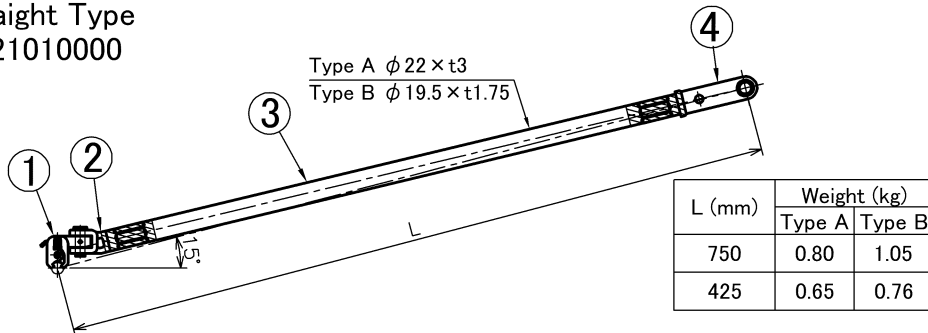
L=500, Me90, Weight : 0.32kg

NO.	PARTS NAME	Q'TY
1	EAR	1 <sup>S</sup>
2	WEDGE	1
3	DROPPER	1
4	MISSING PREVENTION PIN	1

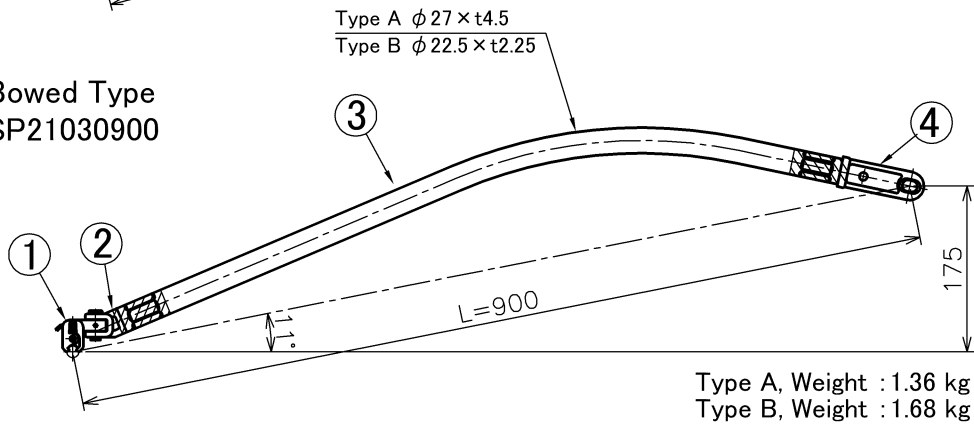
# Pull-off Arm, Boltless

## 曲線引金具 BL (ボルトなし) 各種

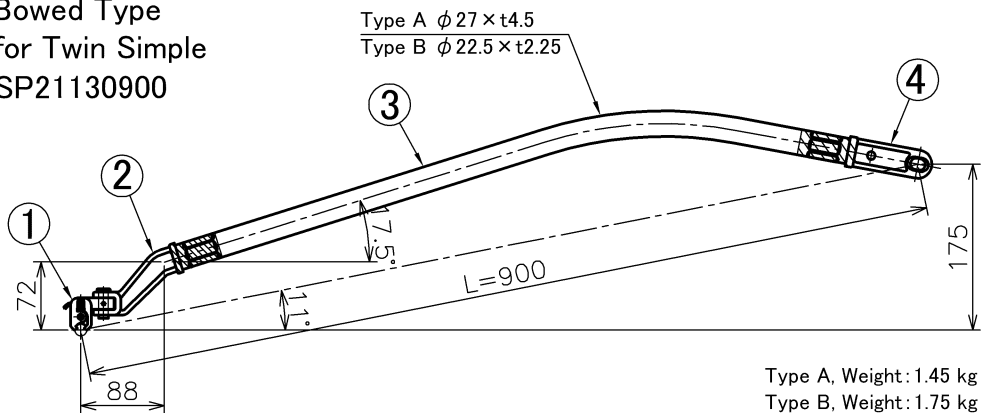
Straight Type  
SP21010000



Bowed Type  
SP21030900



Bowed Type  
for Twin Simple  
SP21130900

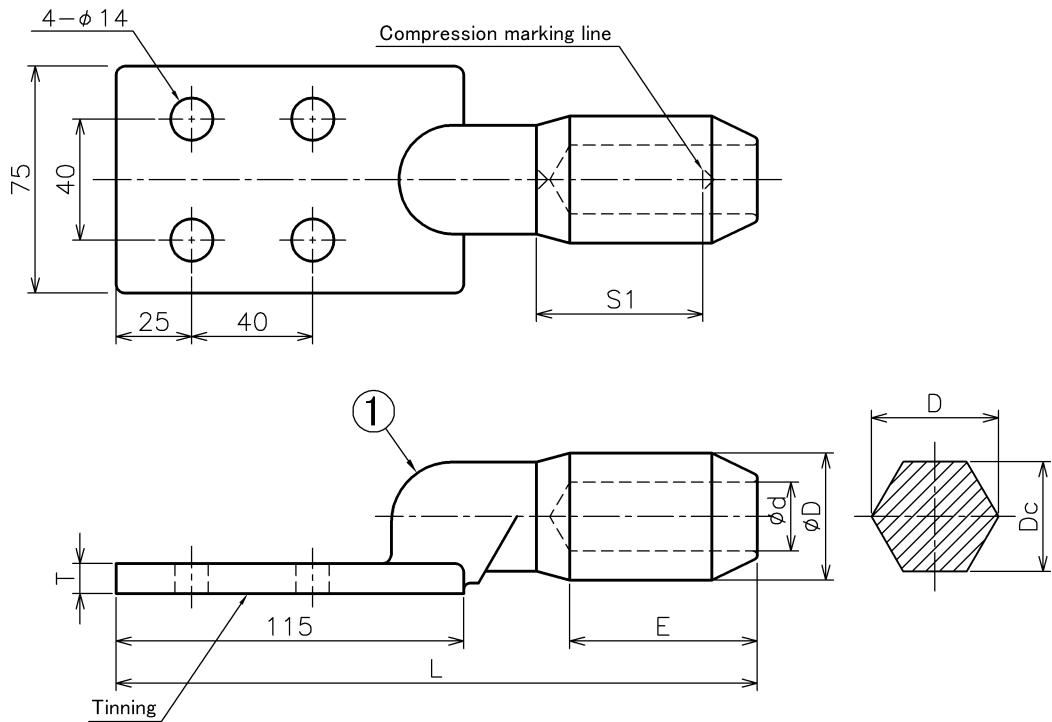


NO.	PARTS NAME	Q'TY
1	EAR	1 <sup>S</sup>
2	EAR MOUNTING FITTING	1
3	ARM	1
4	PULL EYE FITTING	1

NOTE: Type A-For general use. Type B-For corrosion resistance.

# Compression Terminal for Hard-drawn Copper Stranded Conductor Type C4

圧縮端子 硬銅より線用 C4形



Title Drawing No.	No.	Applicable wire(mm <sup>2</sup> )	Strand configuration (line/mm)	Strand outer diameter (mm)	Dimensions(mm)							Compression die Type
					D	d	E	T	L	S1	Dc	
For Hard-drawn Copper Stranded Conductor	01	H500	61/3.2	26.9	47	30.2	70	12	222	50	40.7	C47
	02	H400	61/2.9	24.1	47	27.4	70	12	222	50	40.7	C47
	03	H325	61/2.6	21.7	42	24.7	62	10	212	55	36.4	C42
	04	H250	61/2.3	19.0	38	21.9	62	10	212	55	32.9	C38
For CV cable (circular compression)	01	CVCu500	61/3.2	26.9	47	28.0	70	12	222	50	40.7	C47
	02	CVCu400	61/2.9	24.1	47	25.2	70	12	222	50	40.7	C47
	03	CVCu325	61/2.6	21.7	42	22.7	62	10	212	55	36.4	C42
	04	CVCu250	61/2.3	19.0	38	19.9	62	10	212	55	32.9	C38

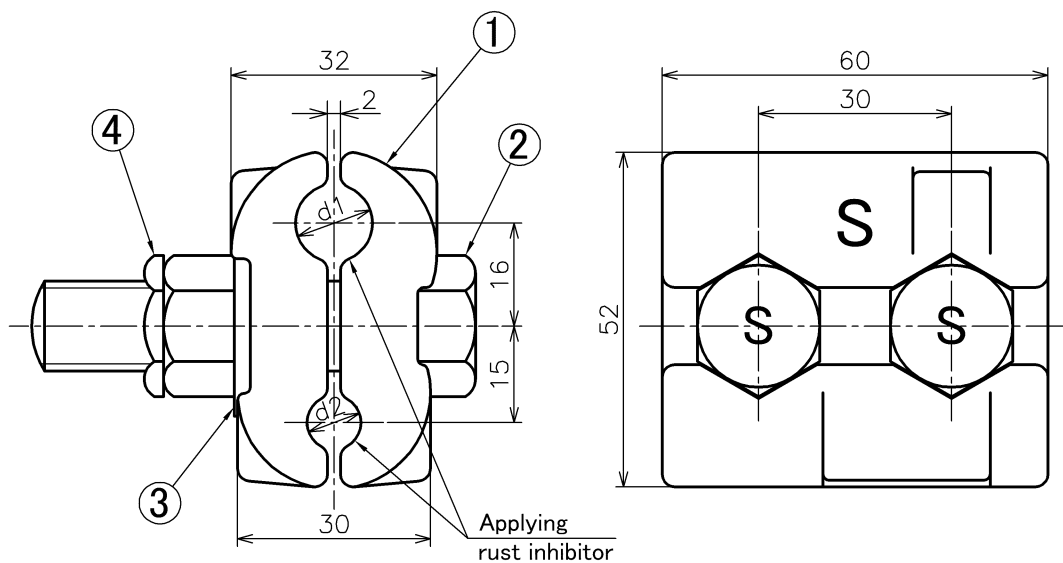
NO.	PARTS NAME	Q'TY
1	MAIN BODY	1

# Connector Clamp Two Bolt Type for Steel Wire

コネクタクランプ ちょう架線 St系 2B 各種

DWG SF41030000

No. (261001)



(mm)

Messenger wire	d1	Conductor	d2
St135mm <sup>2</sup>	15.0	Cu100mm <sup>2</sup>	13.2
		Cu70mm <sup>2</sup>	10.8
		Cu60mm <sup>2</sup>	10.0
		Cu40mm <sup>2</sup>	8.4
St90mm <sup>2</sup>	12.0	Cu100mm <sup>2</sup>	13.2
		Cu70mm <sup>2</sup>	10.8
		Cu60mm <sup>2</sup>	10.0
		Cu40mm <sup>2</sup>	8.4
Span rod φ 13mm	13.5	Cu100mm <sup>2</sup>	13.2
		Cu70mm <sup>2</sup>	10.8
		Cu60mm <sup>2</sup>	10.0
		Cu40mm <sup>2</sup>	8.4

NO.	PARTS NAME	Q'TY
1	CLAMP	1 <sup>S</sup>
2	SMALL HEAD BOLT AND NUT M14 × 60 × 40	2 <sup>S</sup>
3	CONICAL SPRING WASHER	2
4	THIN LOCK NUT SMALL TYPE	2

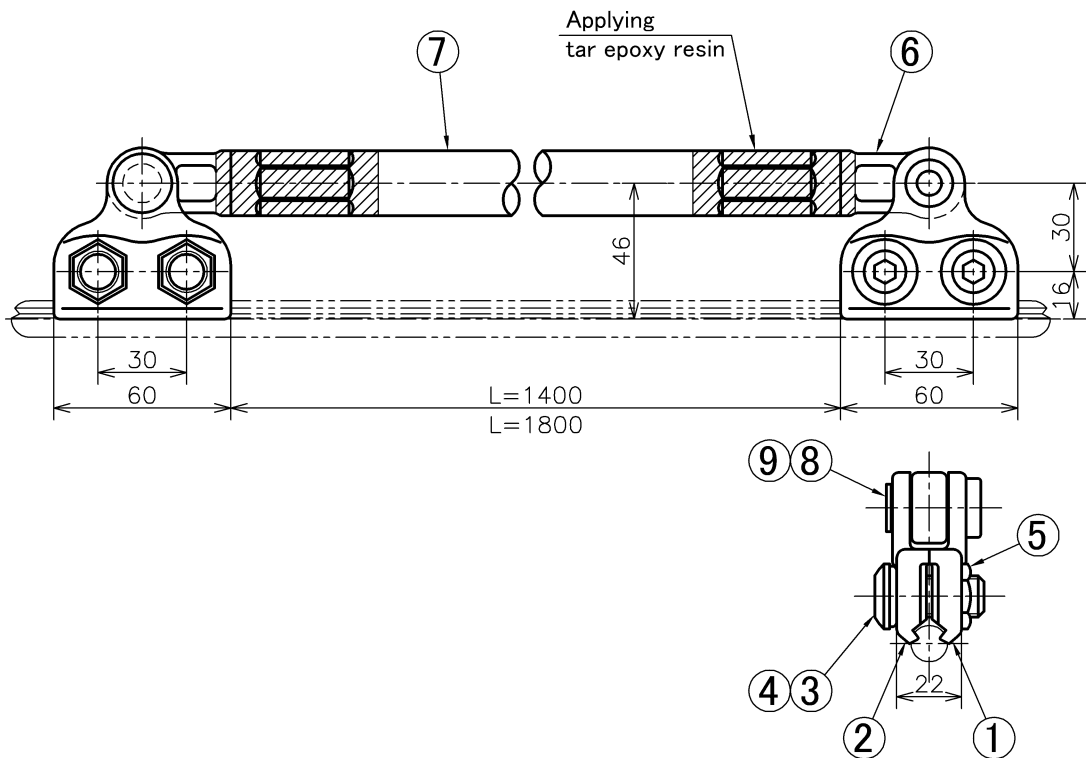


# Crossing Clamp

交差金具

DWG SR01120000

No. (300004-1)



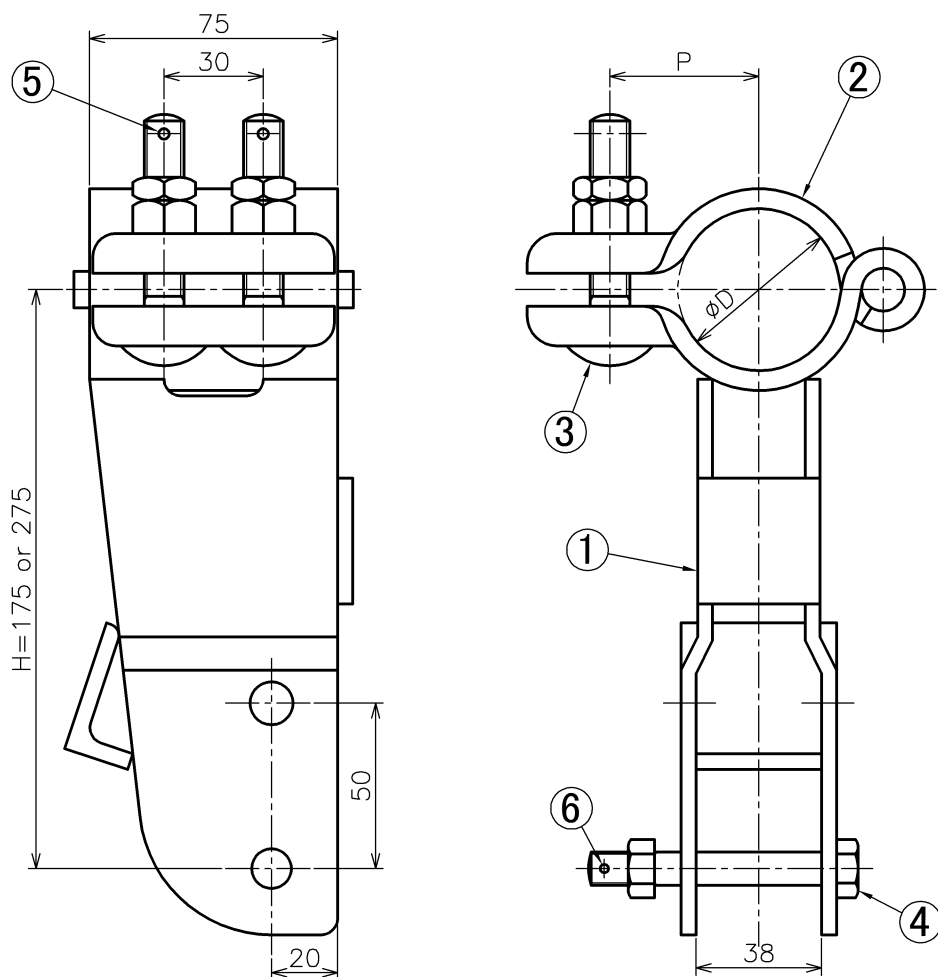
NO.	PARTS NAME	Q'TY
1	EAR A PIECE	2
2	WAR B PIECE	2
3	SOCKET HEAD CAP SCREW	6
4	T.T SPRING WASHER	6
5	THIN LOCK NUT	6
6	EAR FITTING	2
7	PIPE	1
8	RIVET	2
9	TUBE	2

# Support Fittings for Pull-off Arm, Boltless, Simple No.1

アーム支持金具 曲線引金具 (ボルトなし) シンプル 1号

DWG SP02010000

No. (22100200)



Pipe diameter D (mm)	P (mm)	Weight (kg)
42.7	42	2.11
48.6	45	2.14

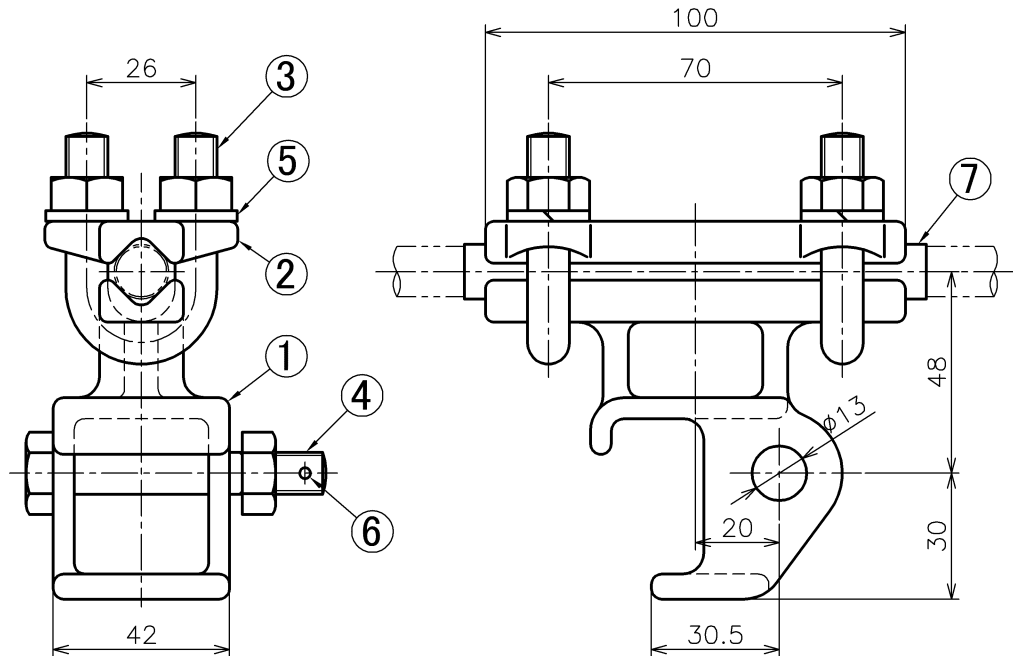
NO.	PARTS NAME	Q'TY
1	MAIN BODY	1
2	BAND	1
3	CUP HEAD SQUARE NECK BOLT AND DOUBLE NUT M12 × 70 × 55	2 <sup>S</sup>
4	COTTER BOLT AND NUT M10 × 75 × 20	1 <sup>S</sup>
5	SPLIT PIN	2
6	SPLIT PIN	1

# Support Fittings for Steady Arm, Boltless, for Simple

アーム支持金具 振止金具 (ボルトなし) シンプル用

DWG SP04010000

No. (228001)



※No.7 Protector is unnecessary when span wire is St.

Weight : 0.80 kg

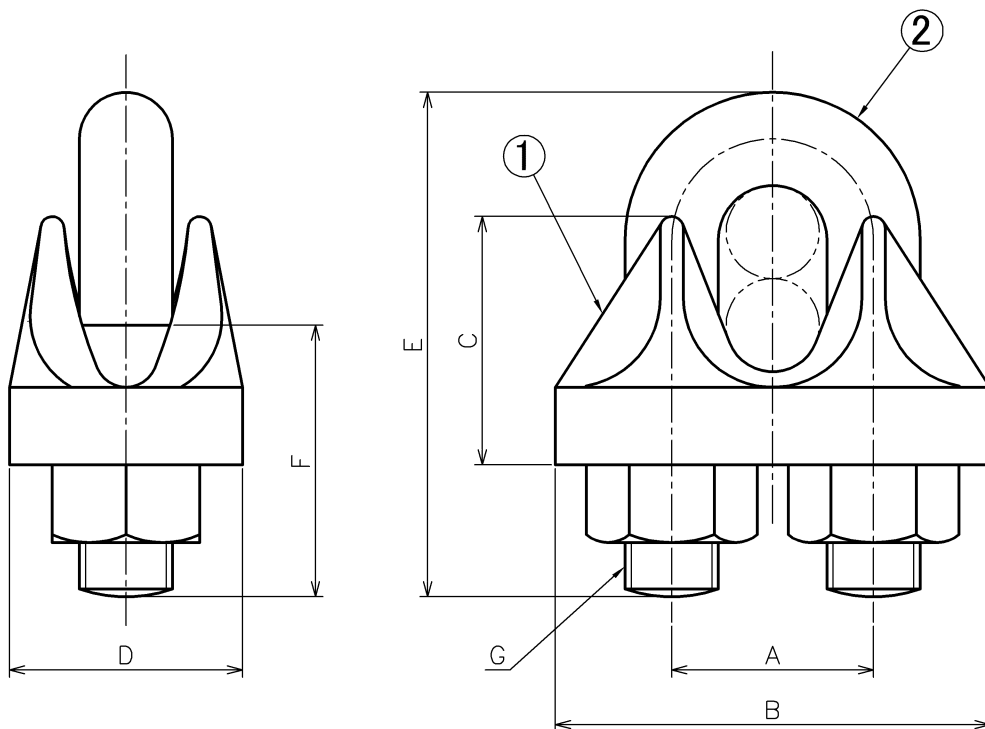
NO.	PARTS NAME	Q'TY
1	MAIN BODY A	1
2	MAIN BODY B	1
3	U BOLT AND NUT M10	2 <sup>S</sup>
4	COTTER BOLT AND NUT M10 × 65 × 20	1 <sup>S</sup>
5	SPRING WASHER	4
6	SPLIT PIN	1
7	PROTECTOR	1

# Wire Clip

ワイヤクリップ 各種

DWG SW06010000

No. (241017)



(mm)

Type	Nominal cross section (mm <sup>2</sup> )	Strand configuration (line/mm)	Main body				U bolt					Weight
			A	B	C	D	E		F		G	
							1 line	2 lines	1 line	2 lines		
A	St55	7/3.2	21	49	30	28	—	55	—	30	10	0.20 kg
	St90	7/4.0	26	56	32	30	55	65	30	35	12	0.29 kg
	St135	7/5.0	29	59	35	30	55	70	30	40	12	0.30 kg
B	H38	7/2.6	21	45	23	24	—	50	—	30	10	0.17 kg
	H60	19/2.0	21	49	30	28	—	55	—	30	10	0.20 kg

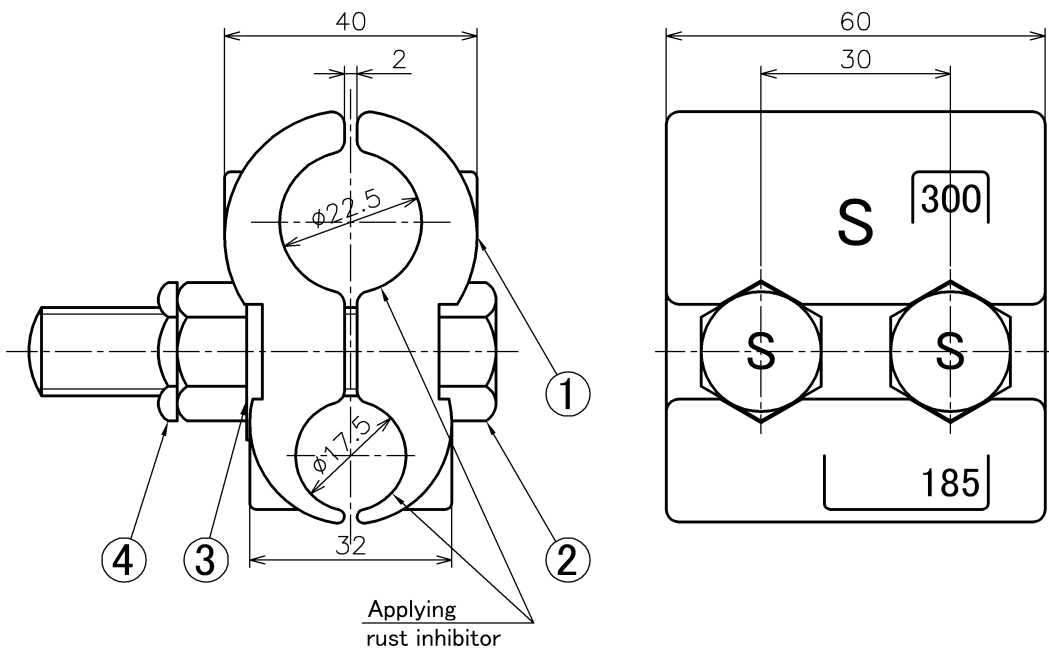
NO.	PARTS NAME	Q'TY
1	MAIN BODY TYPE A	1
(1)	MAIN BODY TYPE B	1
2	U BOLT AND NUT TYPE A	1 <sup>S</sup>
(2)	U BOLT AND NUT TYPE B	1 <sup>S</sup>

# Connector Clamp Two Bolt Type PH300mm<sup>2</sup>-Cu185mm<sup>2</sup>

コネクタクランプ 2B PH300mm<sup>2</sup>-Cu185mm<sup>2</sup>

DWG 26100500-1

No.



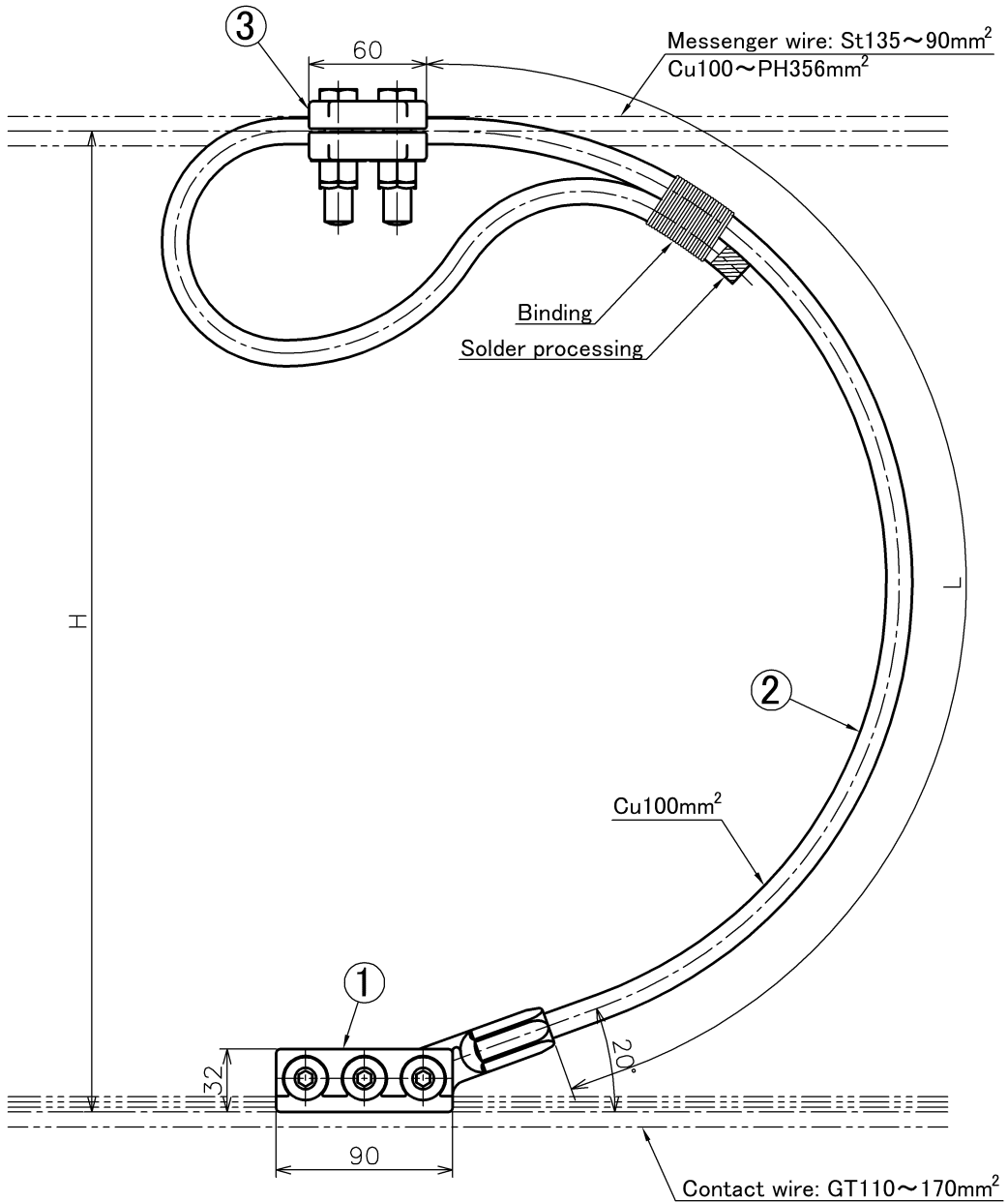
NO.	PARTS NAME	Q'TY
1	CLAMP	1 <sup>S</sup>
2	BOLT AND NUT M14 × 63 × 53	2 <sup>S</sup>
3	SPRING WASHER	2
4	THIN LOCK NUT	2

# Connector Fittings, Socket Head Cap Screw, No.1

コネクタ金具 (袋ねじ) 1号

DWG SF01120000

No. (251012)



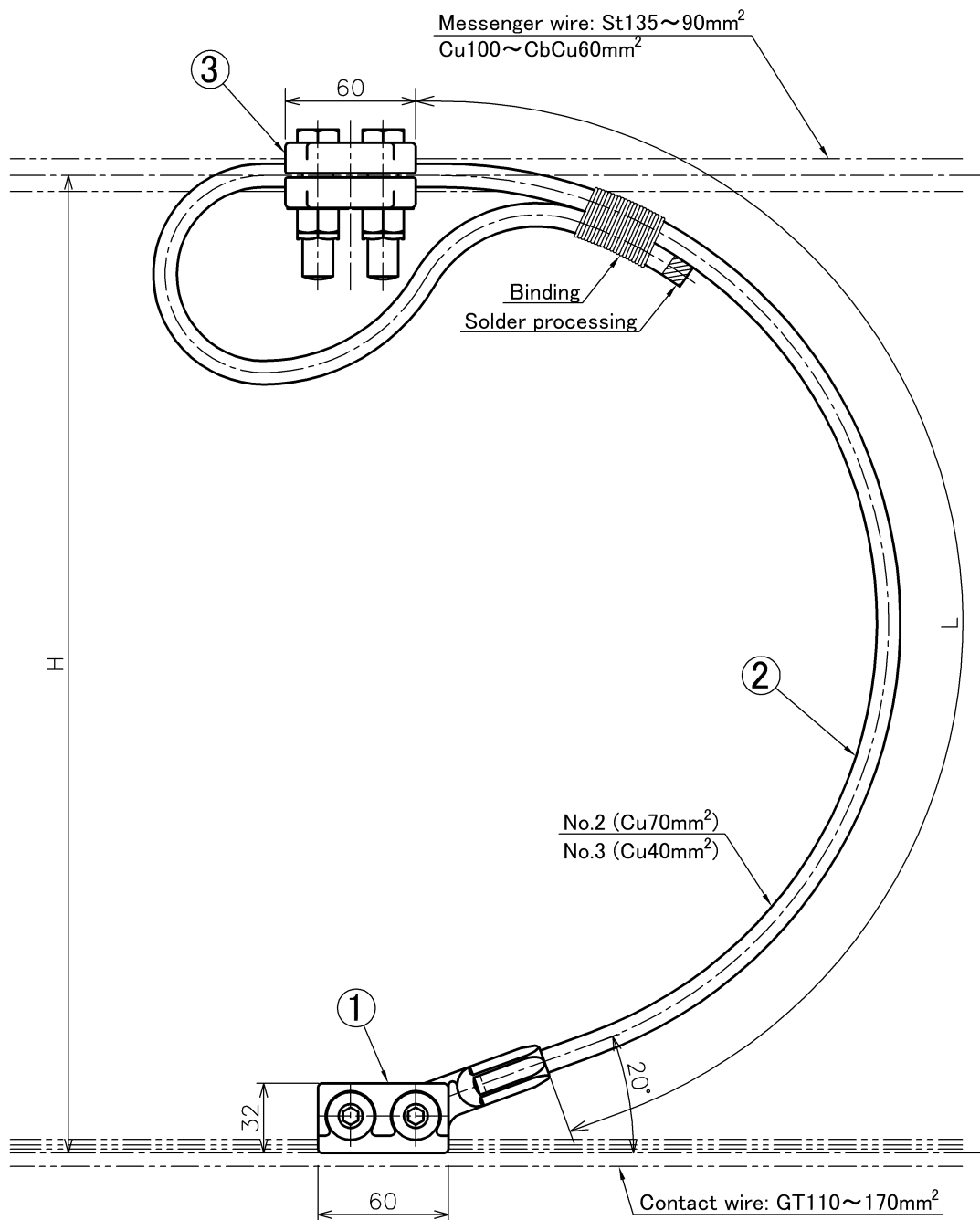
NO.	PARTS NAME	Q'TY
1	EAR	1 <sup>S</sup>
2	CONDUCTOR	1
3	CONNECTOR CLAMP	1 <sup>S</sup>

# Connector Fittings, Socket Head Cap Screw, No.2 No.3

コネクタ金具 (袋ねじ) 2号・3号

DWG SF01120000

No. (251012)

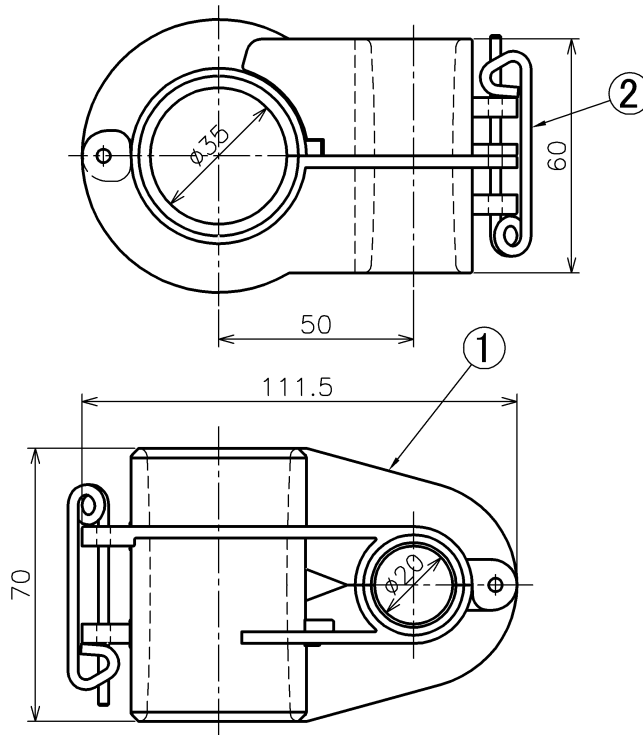


NO.	PARTS NAME	Q'TY
1	EAR	1 <sup>S</sup>
2	CONDUCTOR	1
3	CONNECTOR CLAMP TWO BOLT TYPE	1 <sup>S</sup>

# Separator for Feeding Branch

き電分岐セパレータ

DWG SR01080000  
No. (90190626-1)



Weight: 0.12 kg

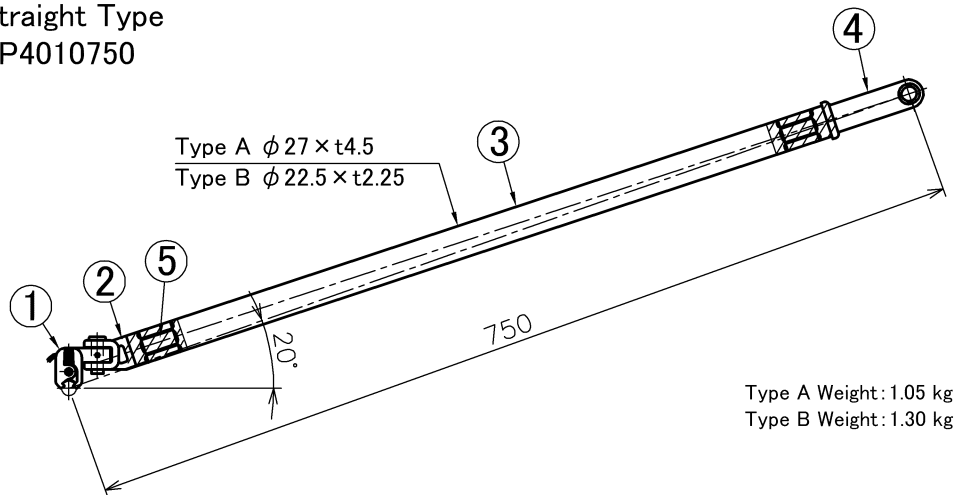
NO.	PARTS NAME	Q'TY
1	MAIN BODY	2
2	MISSING PREVENTION PIN	2



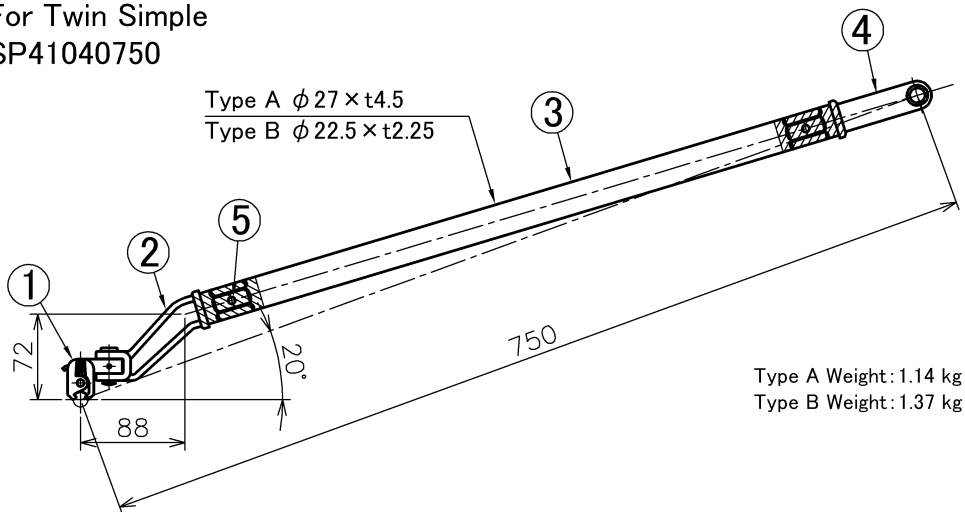
# Steady Arm, Boltless

## 振止金具 (ボルトなし) 各種

Straight Type  
SP4010750



For Twin Simple  
SP41040750



NO.	PARTS NAME	Q'TY
1	EAR	1 <sup>S</sup>
2	EAR MOUNTING FITTING	1
3	ARM	1
4	PULL EYE FITTING	1
5	ROUND HEAD RIVET	2

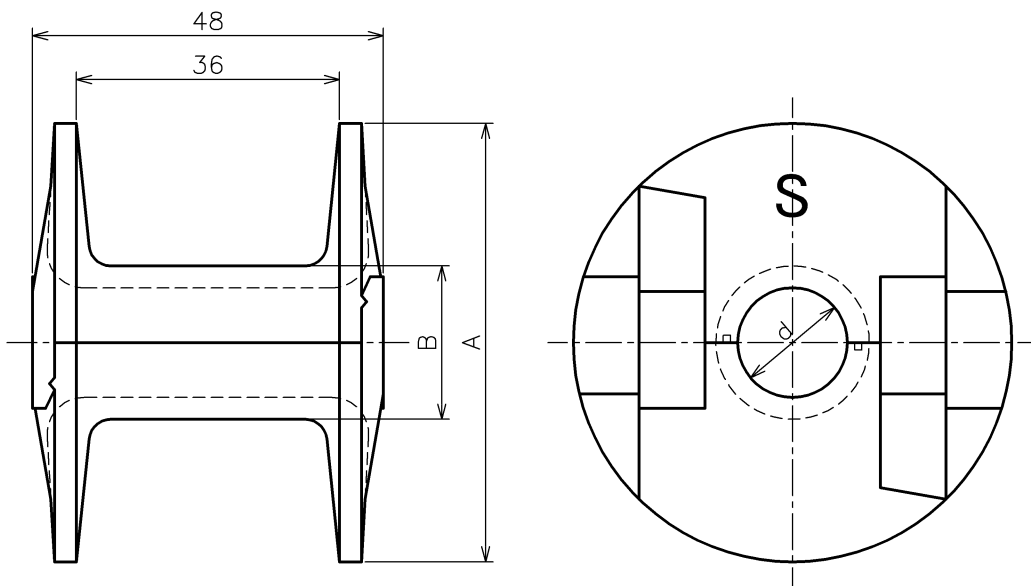
NOTE: Type A-For general use. Type B-For corrosion resistance.

# Messenger Wire Protector Type S

ちょう架線保護カバー S形

DWG SC01010000

No. (310005)



(mm)

Applicable wire	d	A	B
60~100mm <sup>2</sup>	15	60	21
135~200mm <sup>2</sup>	20	64	26
325mm <sup>2</sup>	28	70	34

※Colors are black, yellow, green, white, sky blue, orange and pink.

Weight: 0.06 kg

NO.	PARTS NAME	Q'TY
1	MAIN BODY	1 <sup>S</sup>

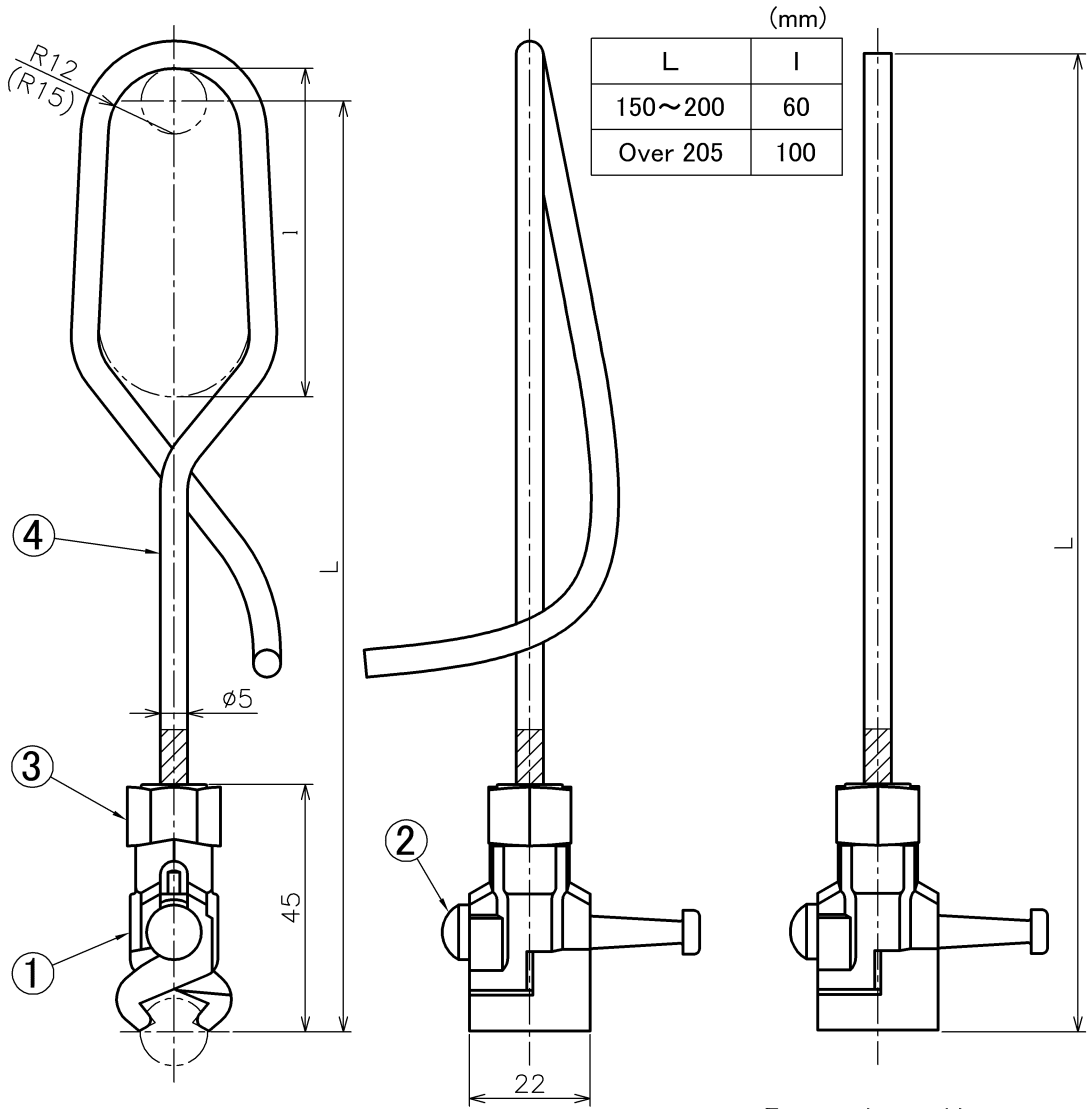
# Hanger Ear (Boltless) Type D

ハンガイヤー (ボルトなし) D形

DWG SH01010000

No. (100001)

※Dimensions in ( ) are for the case of messenger wire 135mm<sup>2</sup>.



For on-site working

L=500, SUS, Weight : 0.19kg

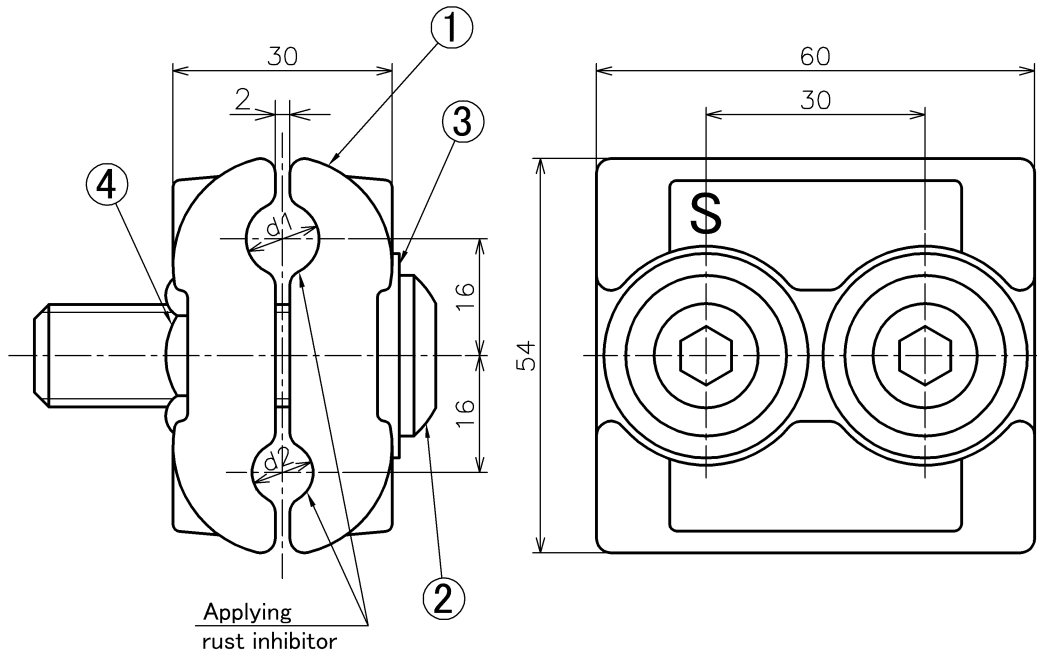
NO.	PARTS NAME	Q'TY
1	EAR	1 <sup>S</sup>
2	WEDGE	1
3	SLEEVE	1
4	DROPPER	1

# Connector Clamp Two Bolt Type for Copper Wire

コネクタクランプ ちょう架線 Cu系 2B

DWG SF41050000

No. (263001)



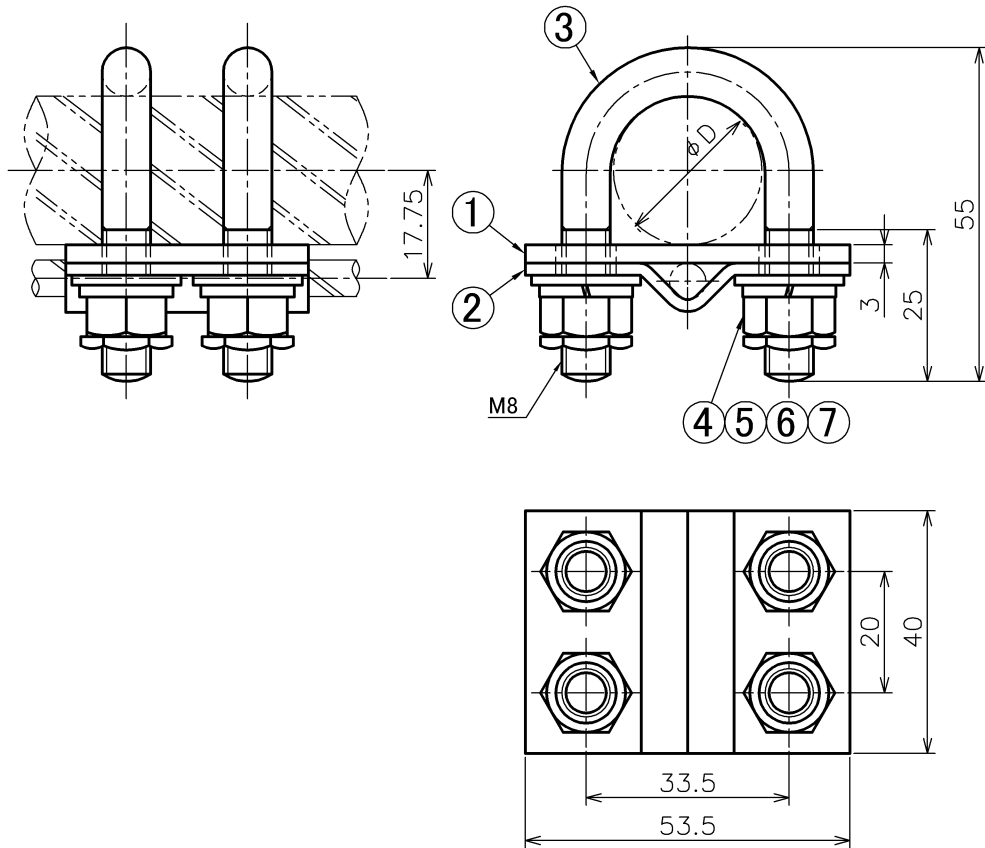
(mm)

Messenger wire	d1	Conductor	d2
Cu100mm <sup>2</sup>	13.2	Cu100mm <sup>2</sup>	13.2
CdCu80mm <sup>2</sup>	11.5	Cu70mm <sup>2</sup>	10.8
		Cu60mm <sup>2</sup>	10.0
CdCu60mm <sup>2</sup>	10.0	Cu40mm <sup>2</sup>	8.4
PH356mm <sup>2</sup>	24.5	Cu100mm <sup>2</sup>	13.2
PH150mm <sup>2</sup>	16.0	Cu40mm <sup>2</sup>	8.4

NO.	PARTS NAME	Q'TY
1	CLAMP	1 <sup>S</sup>
2	SOCKET HEAD CAP SCREW M14 × 50	2
	BOLT M14 × 50 FOR PH356mm <sup>2</sup>	2
3	CONICAL SPRING WASHER	2
4	THIN LOCKNUT SMALL TYPE	2

# Connecting Fittings for Arrester Wire PH356mm<sup>2</sup>, H325mm<sup>2</sup>, PH300mm<sup>2</sup>, for 1 Line, Lead 22mm<sup>2</sup>

分線金具 PH356mm<sup>2</sup>・H325mm<sup>2</sup>・PH300mm<sup>2</sup> 1線用 リード線22mm<sup>2</sup> DWG SR01360000  
No. (90141217-1)

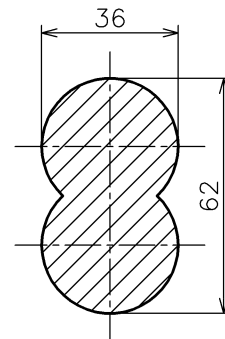
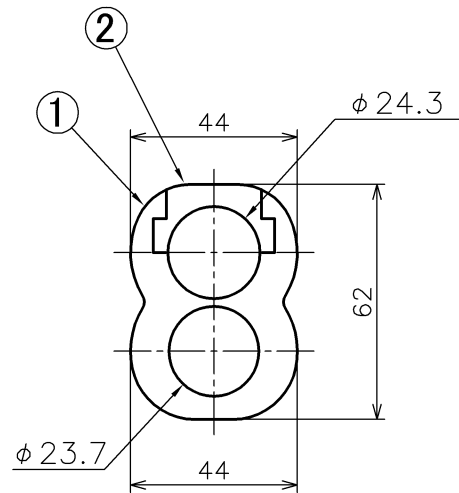
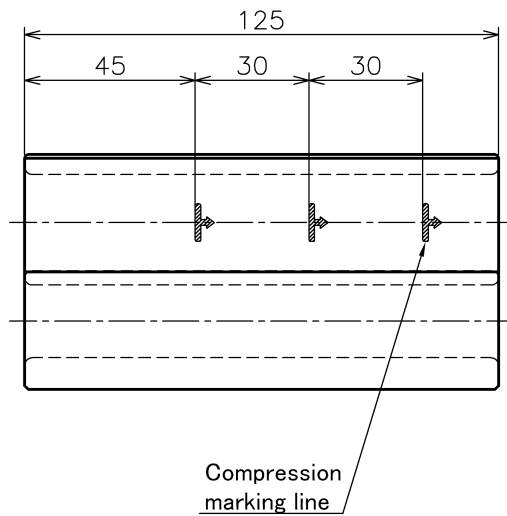


NO.	PARTS NAME	Q'TY
1	MAIN BODY A	1
2	MAIN BODY B	1
3	U BOLT M8	2
4	PLAIN WASHER	4
5	SPRING WASHER	4
6	NUT	4
7	THIN LOCK NUT	4

# Compression Parallel Sleeve for Hard-drawn Copper Stranded Conductor Cu300-Cu300

平行分岐スリーブ 硬銅より線用 Cu300-Cu300

DWG 90210121-1  
No.



Dimension after compressing  
Compression die P3636

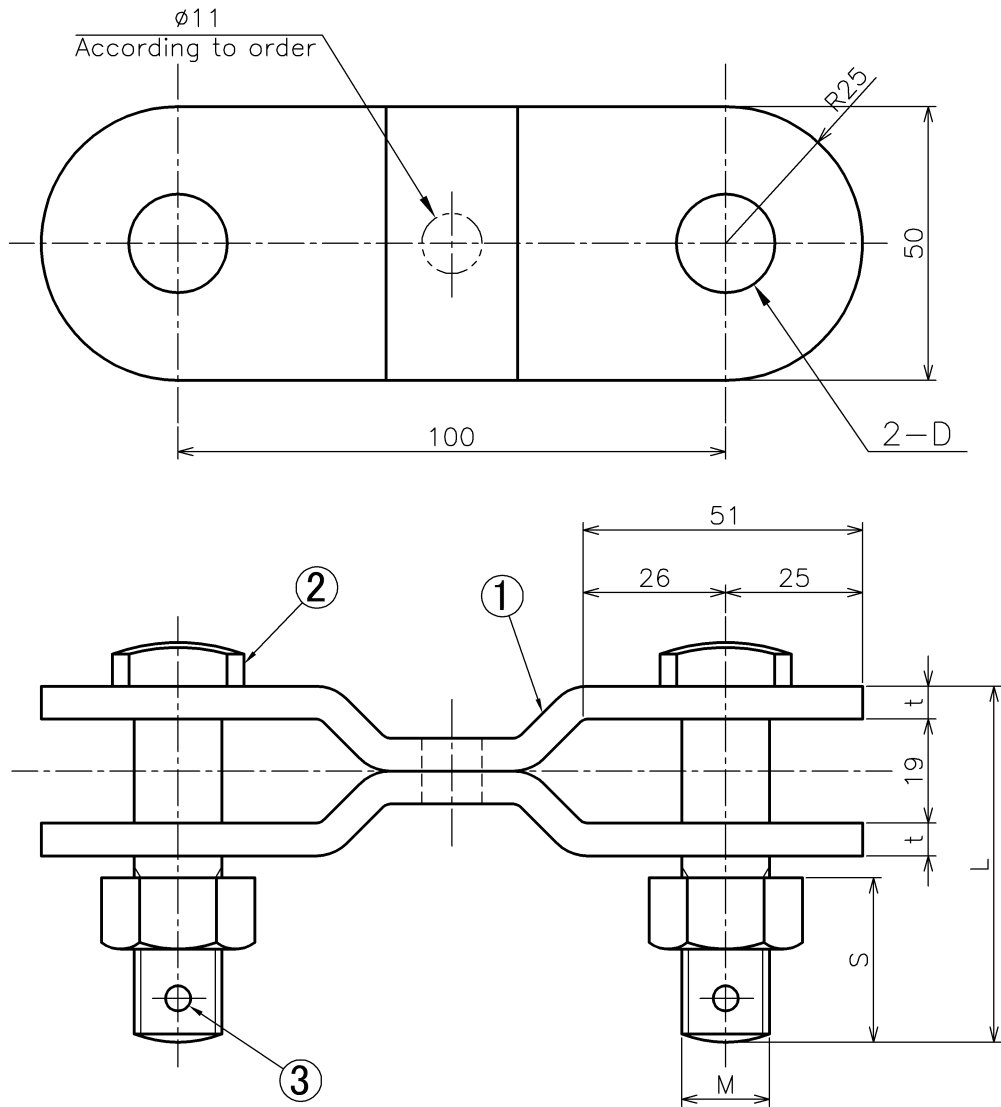
NO.	PARTS NAME	Q'TY
1	MAIN BODY	1
2	SLIDE LID	1

# Link Type H

連結金具 H形 各種

DWG SM11170000

No. (392022)



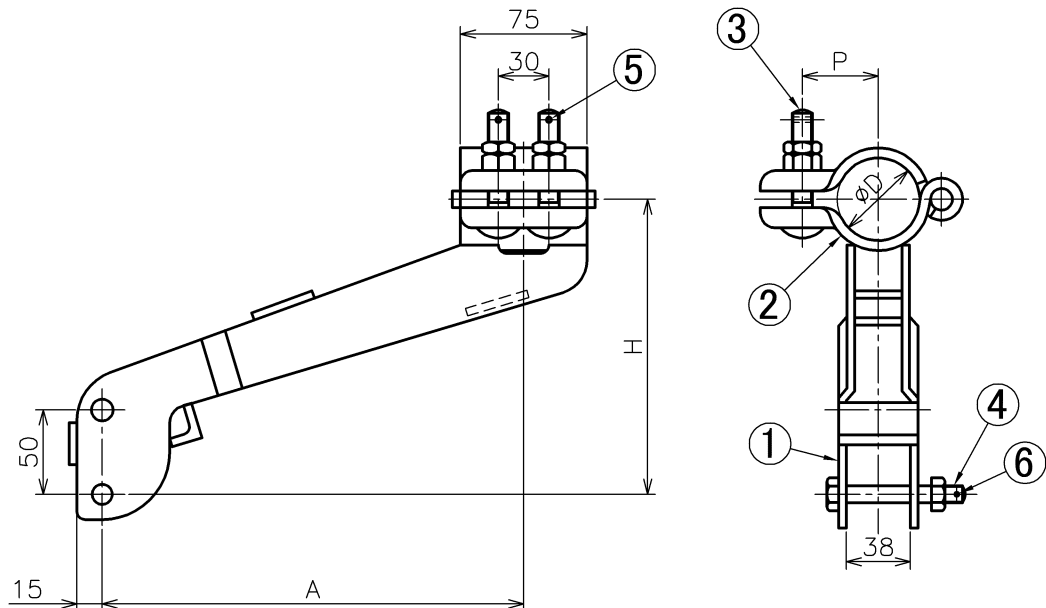
(mm)

t	D	D'	M × L × S	M' × L × S	Weight
6	18	18	M16 × 65 × 30	M16 × 65 × 30	0.40 kg
9	22	22	M20 × 85 × 40	M20 × 85 × 40	0.58 kg
	18	18	M16 × 70 × 30	M16 × 70 × 30	
			M16 × 65 × 20		

NO.	PARTS NAME	Q'TY
1	MAIN BODY	1
2	COTTER BOLT AND NUT	2 <sup>S</sup>
3	SPLIT PIN	2

# Support Fittings for Pull-off Arm, Boltless, Simple No.1-S

## アーム支持金具 曲線引金具 (ボルトなし) シンプル 1-S



Pipe diameter D (mm)	P (mm)	Weight (kg)
42.7	42	2.52
48.6	45	2.56

H (mm)	A (mm)	Drawing No.
175	250	SP02210000
175	350	SP02410000
225	350	95100408-1
225	450	
275	350	93200108-1

NO.	PARTS NAME	Q'TY
1	MAIN BODY	1 <sup>S</sup>
2	BAND	1 <sup>S</sup>
3	CUP HEAD SQUARE NECK BOLT AND DOUBLE NUT M12 × 70 × 55	2 <sup>S</sup>
4	COTTER BOLT AND NUT M10 × 75 × 20	1 <sup>S</sup>
5	SPLIT PIN	2
6	SPLIT PIN	1

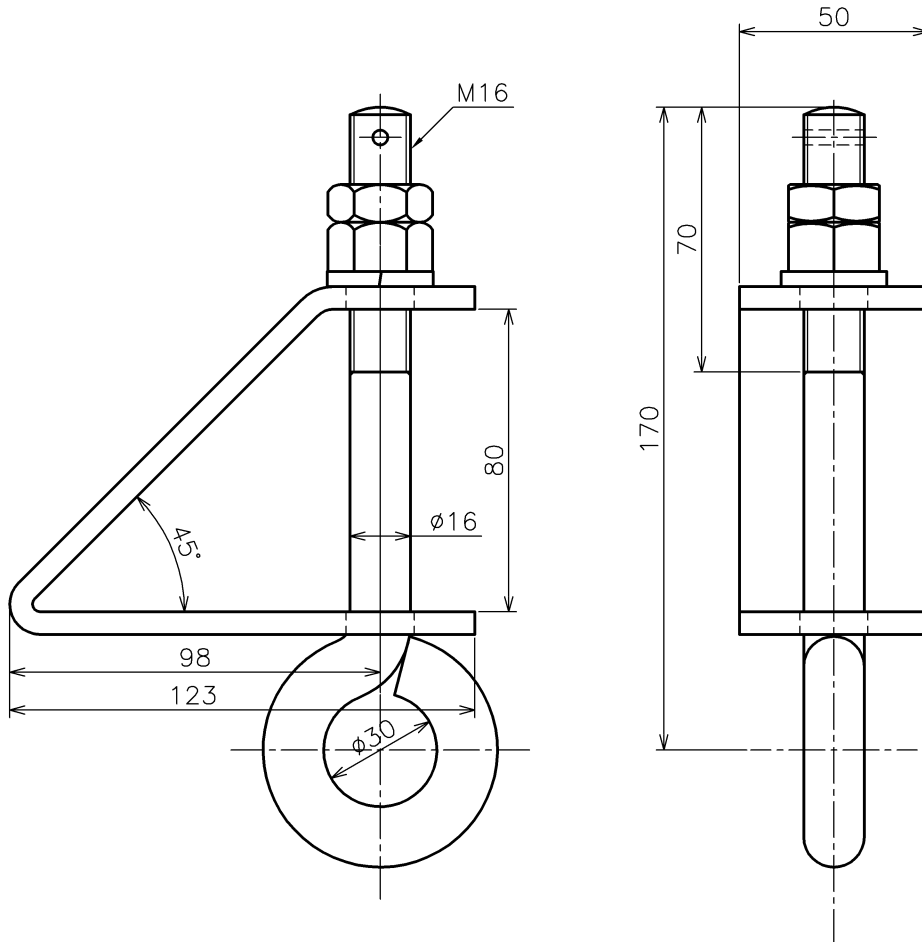


# Insulator Fittings, Suspension Type, Type L L=80

がいし金具 L形 L=80

DWG 90210317-1

No.

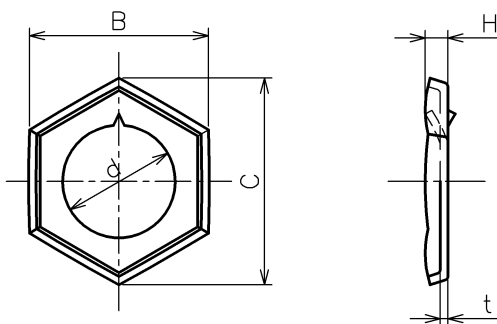


NO.	PARTS NAME	Q'TY
1	MAIN BODY	1
2	RING BOLT AND DOUBLE NUT $\phi$ 16 M16	1 <sup>S</sup>
3	SPRING WASHER	1
4	SPLIT PIN	1

# Thin Lock Nut M14 Small Type

薄板ゆるみ止めナット M14 (小形)

DWG 90210518-1  
No.



M		d	B	C	H	t
Nut size	Pitch					
M14	1.5	13.2	19	21.9	3.0	0.8

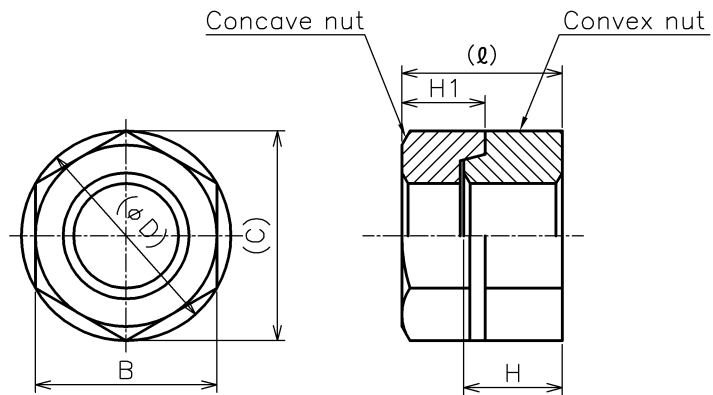
※Apply the specified color to the surface  
(Red if not specified)

NO.	PARTS NAME	Q'TY
1	MAIN BODY	1

# Hard Lock Nut HLN-R M12

ハードロックナット HLN-R M12

DWG 90210518-2  
No.



M		H	H1	B	C	ℓ	φD
Nut size	Pitch						
M12	1.75	10 <sup>0</sup> <sub>-0.58</sub>	9.3 <sup>0</sup> <sub>-0.58</sub>	19 <sup>0</sup> <sub>-0.8</sub>	21.9	16.0	21.9

NO.	PARTS NAME	Q'TY
1	MAIN BODY	1 <sup>S</sup>